

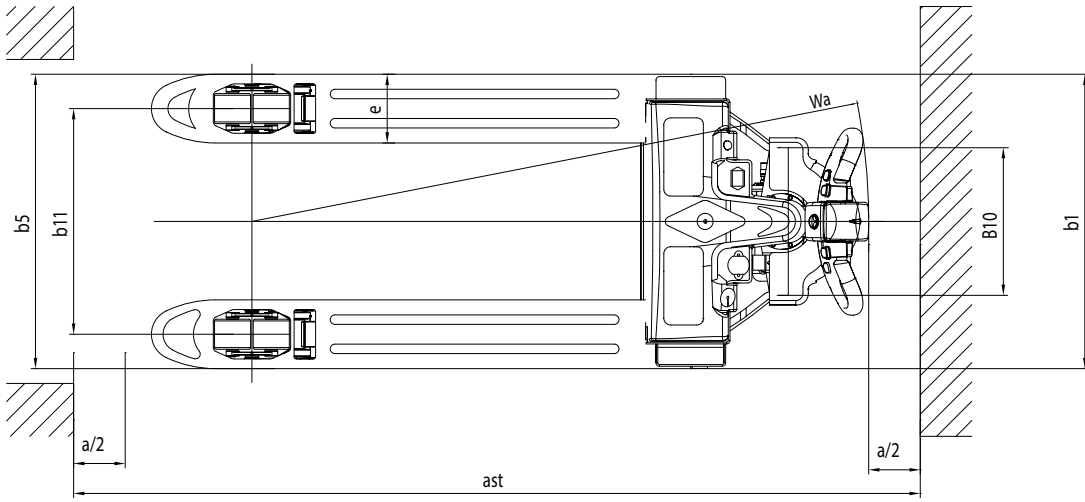
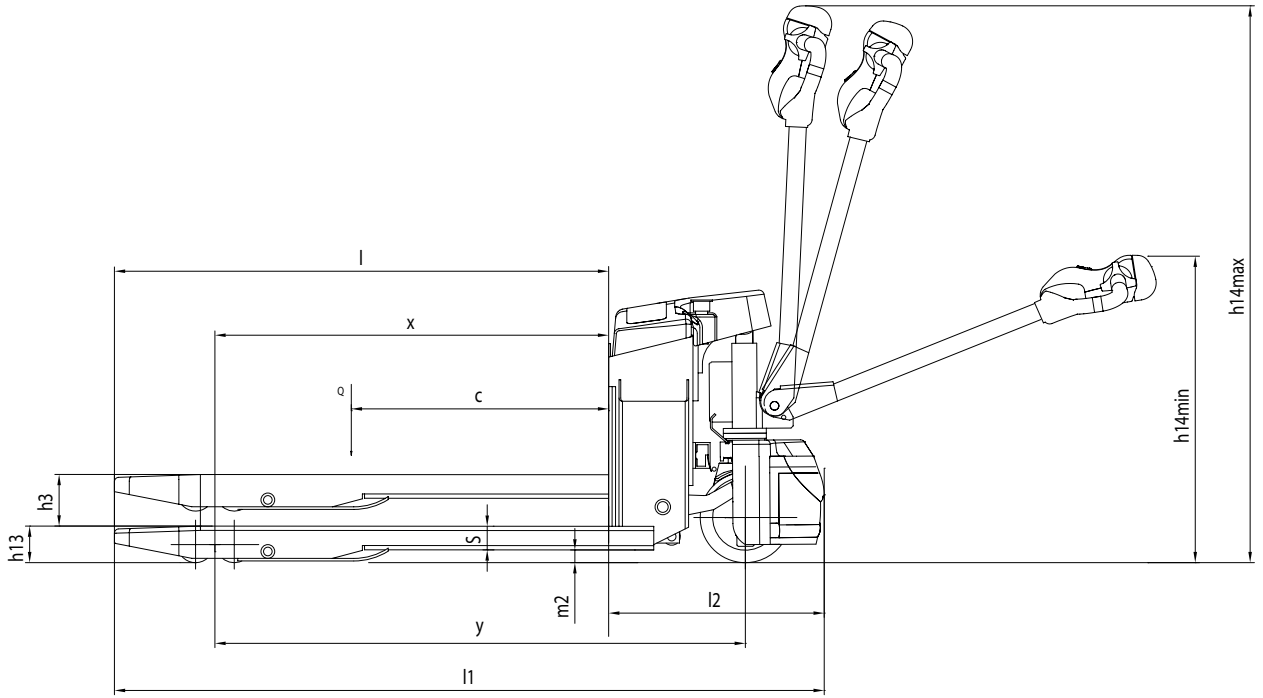
Technical data



CBD 15

Electric pedestrian truck (1,500 kg)

The CBD 15 is the entry-level model of the electric pedestrian pallet trucks. Intended for easy applications in the internal material flow and thanks to its compact design, it is especially suited for operations in narrow spaces. The maintenance-free battery in combination with an on-board charger as part of the standard version ensure particularly easy handling.



Technical data in line with VDI 2198

Issue: 12/2016

Identification	1.2	Model		CBD 15-170JH
	1.3	Drive		Electrics
	1.4	Manual, pedestrian, stand-on, seated, order picker operation		Pedestrian
	1.5	Load capacity/rated load	Q t	1.5
	1.6	Load centre distance	c mm	600
	1.8	Load distance	x mm	870 (1150)/920 (1200)
	1.9	Wheelbase	y mm	1235/1285
Weights	2.1.1	Net weight incl. battery (see row 6.5)	kg	202
Wheels/ chassis	3.1	Tyres	mm	PU
	3.5	Wheels, number front/rear (x = driven wheels)	mm	1/0/4
Basic dimensions	4.4	Lift	h3 mm	120
	4.15	Lowered height	h13 mm	85
	4.19	Overall length	l1 mm	1648/1698
	4.20	Length incl. back of forks	l2 mm	498
	4.21	Total width	b1/b2 mm	570/685
	4.22	Fork dimensions	s/e/l mm	73/160/1150 (1200)
	4.25	Width over forks	b5 mm	550/685
	4.32	Floor clearance centre wheelbase	m2 mm	30
	4.33	Aisle width for pallets 1000 × 1200 sideways	Ast mm	1764/1814
	4.34	Aisle width for pallets 800 × 1200 lengthways	Ast mm	1728/1778
4.35	Turning radius	Wa mm	1414/1464	
Performance data	5.1	Travel speed, w./w.o. load	km/h	3.5/4
	5.2	Lift speed, w./w.o. load	m/s	0.03/0.035
	5.3	Lowering speed, w./w.o. load	m/s	0.035/0.03
	5.8	Max. gradeability, laden/unladen	%	5/7
	5.10	Service brake		Electromagnetic/regenerative
Electrics	6.1	Drive motor, output S2 60 min.	kW	0.63
	6.2	Lift motor, output at S3 15%	kW	0.8
	6.4	Battery voltage/nominal capacity K5	V/Ah	24/75
	6.5	Battery weight	kg	44
Misc.	8.1	Type of drive control		CURTIS 1212



Jungheinrich trucks
conform to the European
Safety Requirements.

Muster Vertrieb AG

Musterstr. 129

22047 Hamburg

Tel: +49 40 1234-0

Telefax: +49 40 1234-1